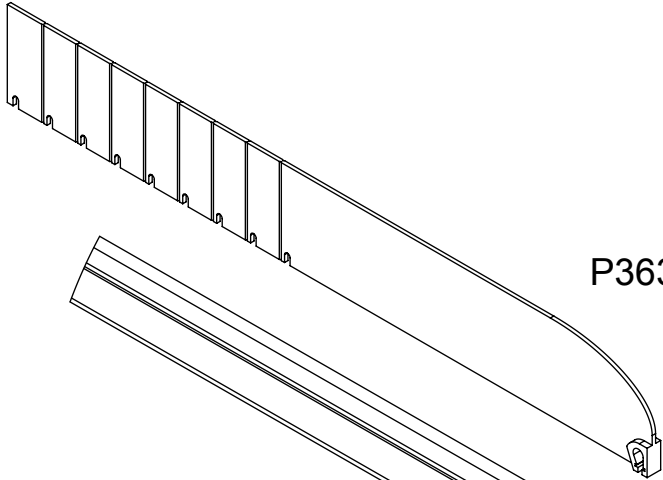
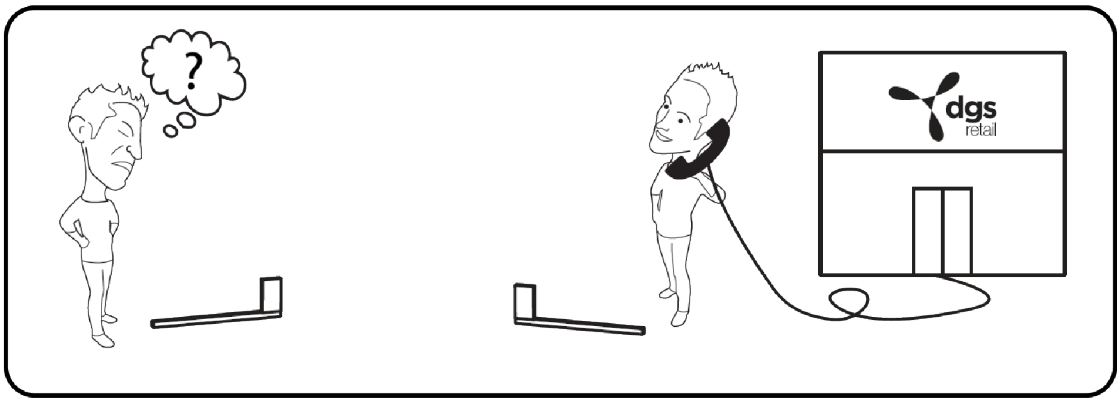


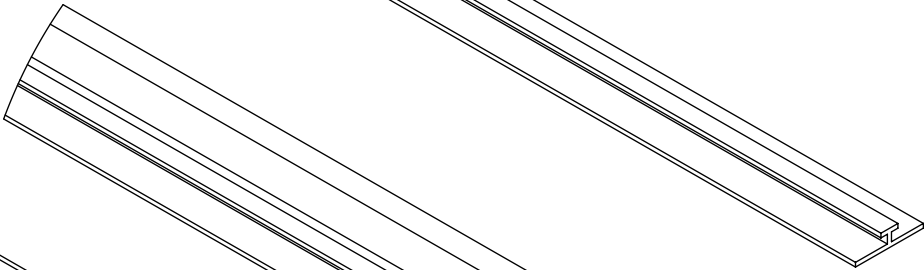
*P3639 / P3782 / P3640 / P3780 /
P3781 / P3782 Shelf Divider System
assembly instructions*

Copyright © 2018 DGS Retail
(800) 211-9646 Press 1

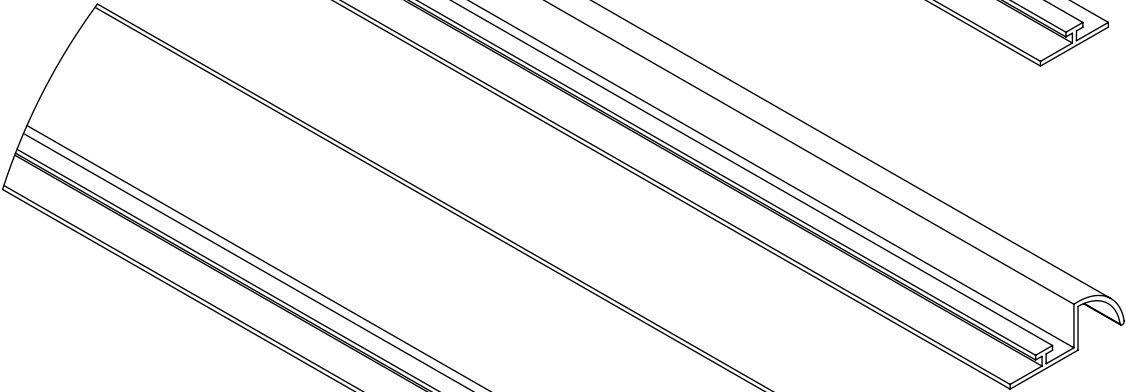
Rev Date:
6/19/19



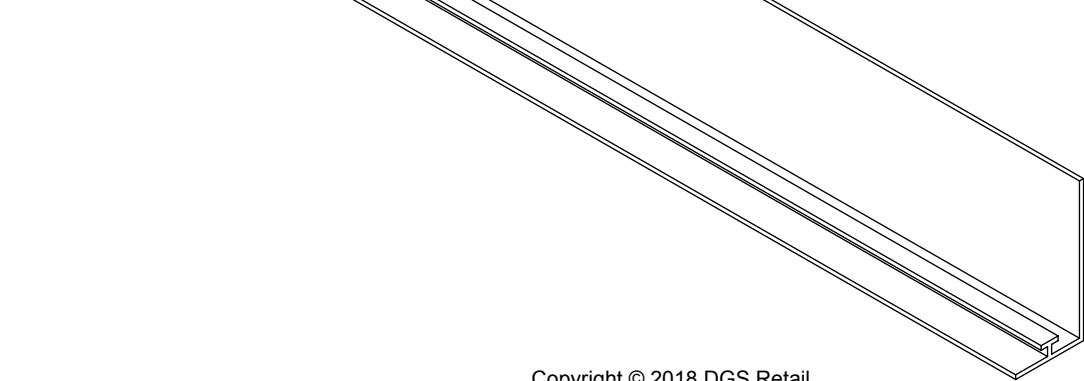
P3639 / P3782



P3640 / P3780

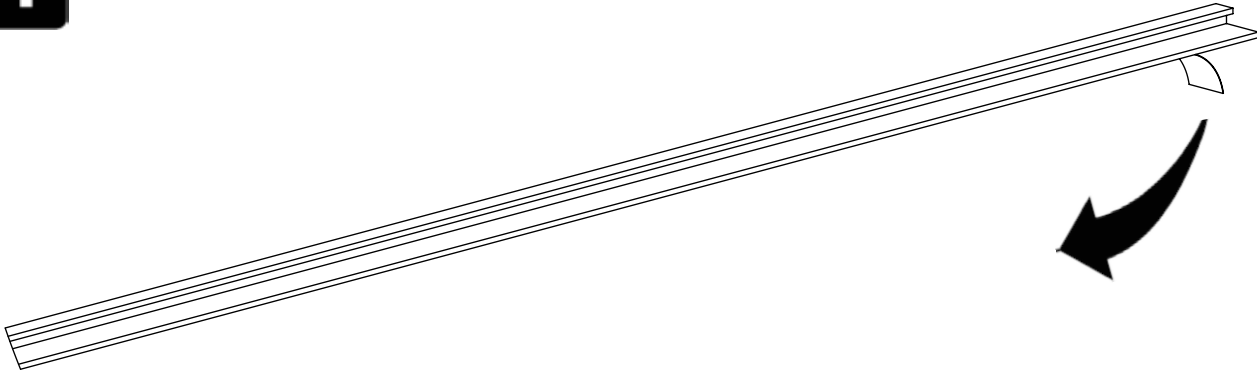


P3781

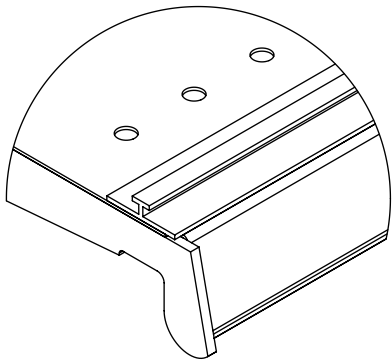
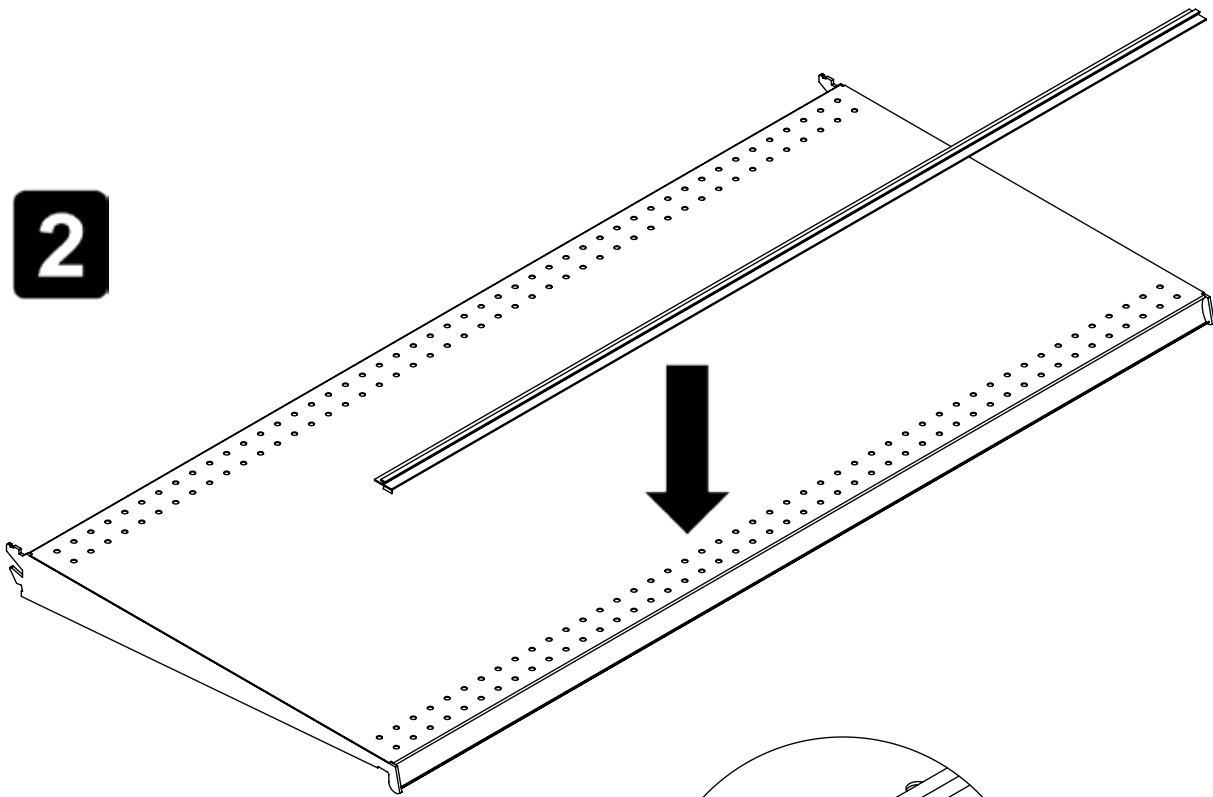


P3782

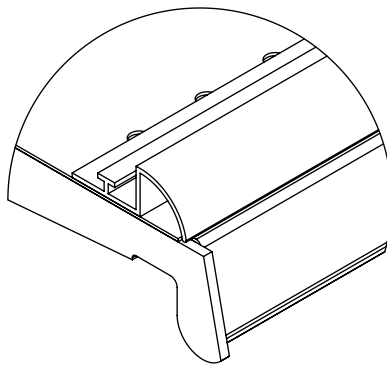
1



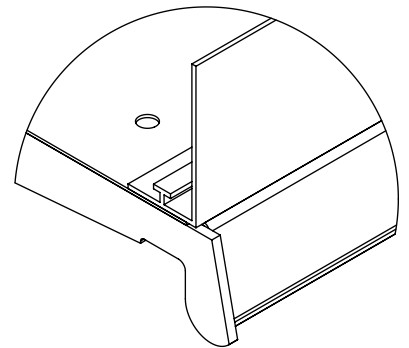
2



P3780

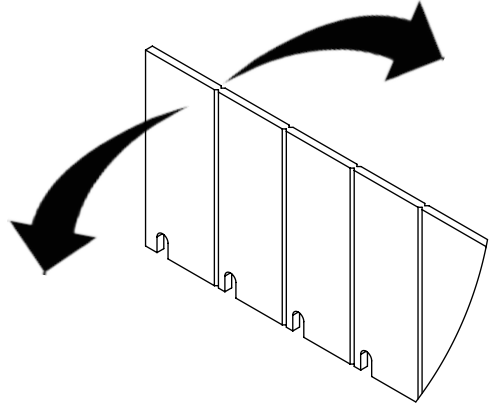
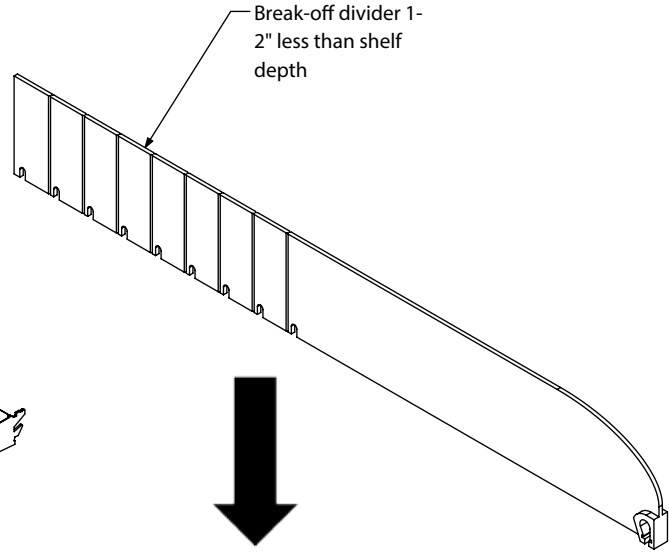
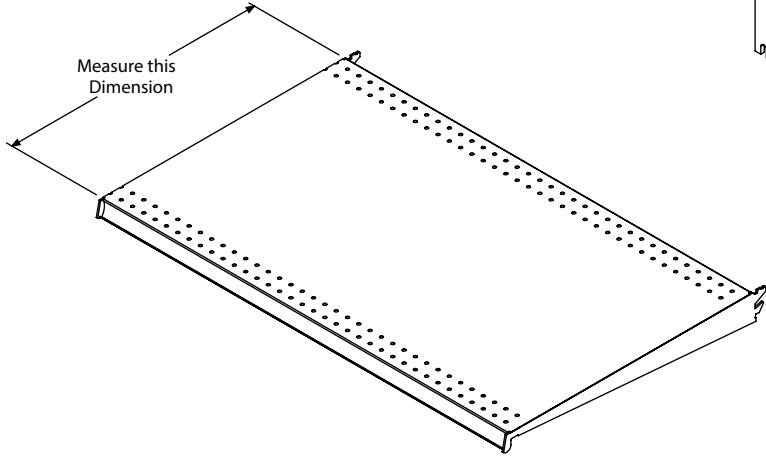


P3781

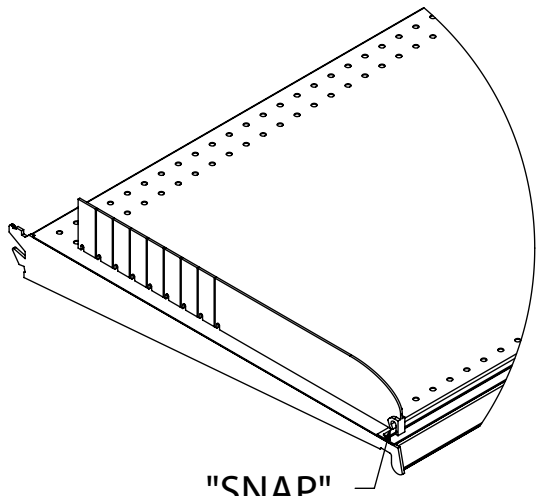
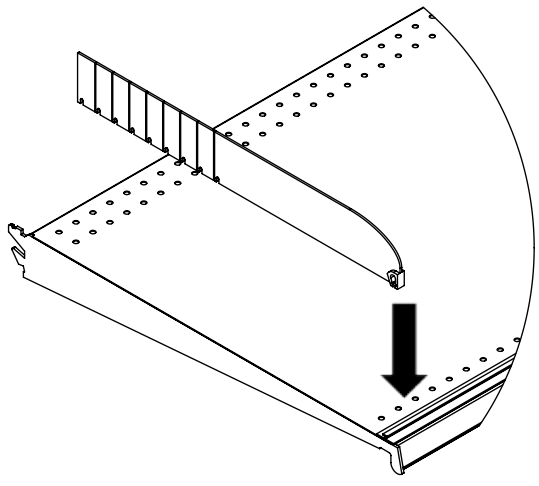


P3782

3



4



5

